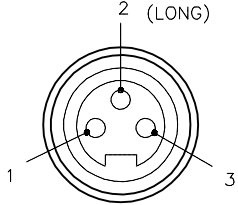
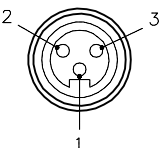
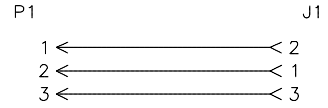


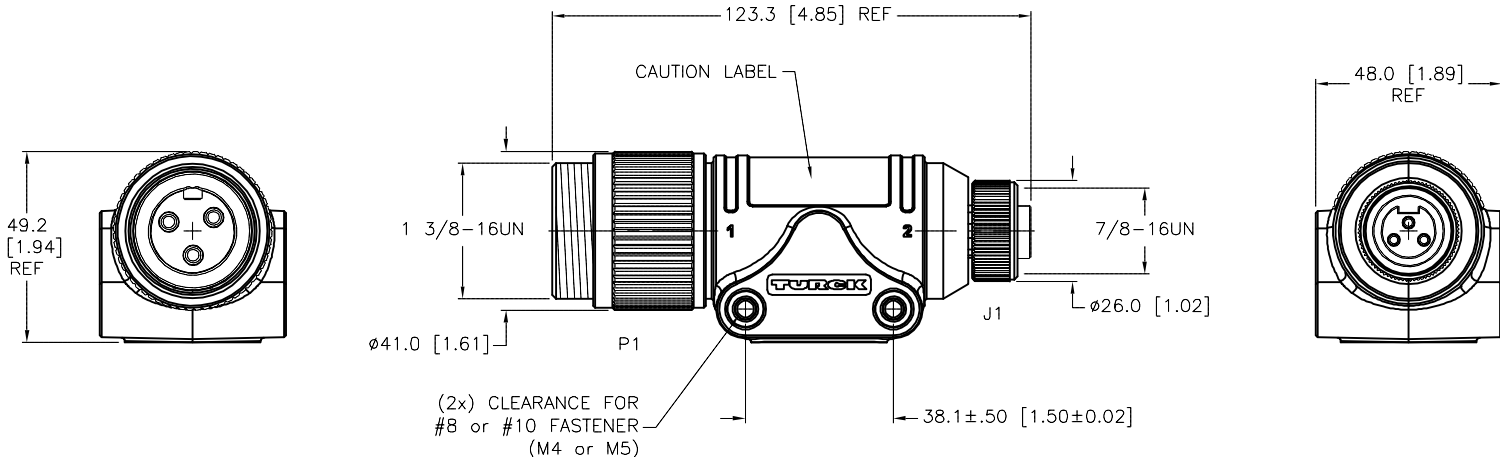
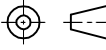


MALE END VIEW (P1)	FEMALE END VIEW (J1)	WIRING DIAGRAM	SPECIFICATIONS																					
			<table border="1"> <tr><td>CONTACT CARRIER MATERIAL</td><td>PVC</td></tr> <tr><td>MOLDED HEAD MATERIAL/COLOR</td><td>PVC/BLACK</td></tr> <tr><td>CONTACT MATERIAL/PLATING</td><td>BRASS or COPPER/GOLD</td></tr> <tr><td>COUPLING NUT MATERIAL/FINISH (P1)</td><td>ALUMINUM/CLEAR-ANODIZED</td></tr> <tr><td>COUPLING NUT MATERIAL/PLATING (J1)</td><td>BRASS/NICKEL</td></tr> <tr><td>RATED CURRENT [A]</td><td>21 A</td></tr> <tr><td>RATED VOLTAGE [V]</td><td>600 V</td></tr> <tr><td>TEMPERATURE RANGE</td><td>-40°C to +90°C (-40°F to +194°F)</td></tr> <tr><td>PROTECTION CLASS</td><td>MEETS NEMA 1,3,4,6P AND IEC IP67</td></tr> <tr><td>APPROVALS AND CERTIFICATIONS</td><td>UL 2237, UL 2238, CE</td></tr> </table>	CONTACT CARRIER MATERIAL	PVC	MOLDED HEAD MATERIAL/COLOR	PVC/BLACK	CONTACT MATERIAL/PLATING	BRASS or COPPER/GOLD	COUPLING NUT MATERIAL/FINISH (P1)	ALUMINUM/CLEAR-ANODIZED	COUPLING NUT MATERIAL/PLATING (J1)	BRASS/NICKEL	RATED CURRENT [A]	21 A	RATED VOLTAGE [V]	600 V	TEMPERATURE RANGE	-40°C to +90°C (-40°F to +194°F)	PROTECTION CLASS	MEETS NEMA 1,3,4,6P AND IEC IP67	APPROVALS AND CERTIFICATIONS	UL 2237, UL 2238, CE	
CONTACT CARRIER MATERIAL	PVC																							
MOLDED HEAD MATERIAL/COLOR	PVC/BLACK																							
CONTACT MATERIAL/PLATING	BRASS or COPPER/GOLD																							
COUPLING NUT MATERIAL/FINISH (P1)	ALUMINUM/CLEAR-ANODIZED																							
COUPLING NUT MATERIAL/PLATING (J1)	BRASS/NICKEL																							
RATED CURRENT [A]	21 A																							
RATED VOLTAGE [V]	600 V																							
TEMPERATURE RANGE	-40°C to +90°C (-40°F to +194°F)																							
PROTECTION CLASS	MEETS NEMA 1,3,4,6P AND IEC IP67																							
APPROVALS AND CERTIFICATIONS	UL 2237, UL 2238, CE																							
																								



**CAUTION:**  
 RISK OF ELECTRICAL SHOCK  
 DO NOT DISCONNECT UNDER LOAD

SOURCE DRAWING - FOR REFERENCE ONLY

RELATED DOCUMENTS 1. 2. 3. 4.	3RD ANGLE PROJECTION 	THIS DRAWING IS CONFIDENTIAL AND THE PROPERTY OF TURCK INC. USE OF THIS DOCUMENT WITHOUT WRITTEN PERMISSION IS PROHIBITED.	3000 CAMPUS DRIVE MINNEAPOLIS, MN 55441 1-800-544-7769 (763) 553-7300 (763) 553-0708 fax www.turck.us	
MATERIAL  SEE SPECIFICATIONS	ALL DIMENSIONS DISPLAYED ON THIS DRAWING ARE FOR REFERENCE ONLY	DRFT RDS DATE 05/05/10 APVD SCALE 1=2.0	DESCRIPTION GSDA RKM 34-0	
FINISH  SEE SPECIFICATIONS	CONTACT TURCK FOR MORE INFORMATION	UNIT OF MEASUREMENT <b>MILLIMETER [ INCH ]</b> IDENTIFICATION NO. U2-15641 REV E DO NOT SCALE THIS DRAWING FILE: U2-15641 SHEET 1 OF 1		

E UPDATE RATED CURRENT	NF	04/24/19	69359
REV DESCRIPTION	BY	DATE	ECO NO.